

Replacement from PM-L24

The recommended substitute of PM-L24 will be **PM-L25**.

Differences of specifications

	PM-L24	PM-L25
Sensing range	5mm/0.197in	6mm/0.236in
Protection circuits	No equipped	Reverse supply polarity protection Reverse output polarity protection Output short-circuit protection
Protection	None	IP64
Under light interrupted condition	100 μ S or less	80 μ S or less
Repeatability	0.03mm/0.001in or less	0.01mm/0.0004in or less
Minimum sensing object (opaque object)	0.8 x 1.8mm /0.31 x 0.071in	0.8 x 1.2mm/0.31 x 0.047in
Residual voltage	0.7V or less (at 50mA sink current) 0.4V or less (at 16mA sink current)	2V or less (at 50mA sink current) 1V or less (at 16mA sink current)






Other related successor models

- PM-L24-C3 (Cable Length 3m/9.843ft) ⇒ PM-L25-C3
- PM-L24-R (Bending-resistant cable 1m/3.281ft) ⇒ PM-L25-R
- PM-L24P (PNP output cable 1m/3.281ft) ⇒ PM-L25P

Replacement from PM-L24

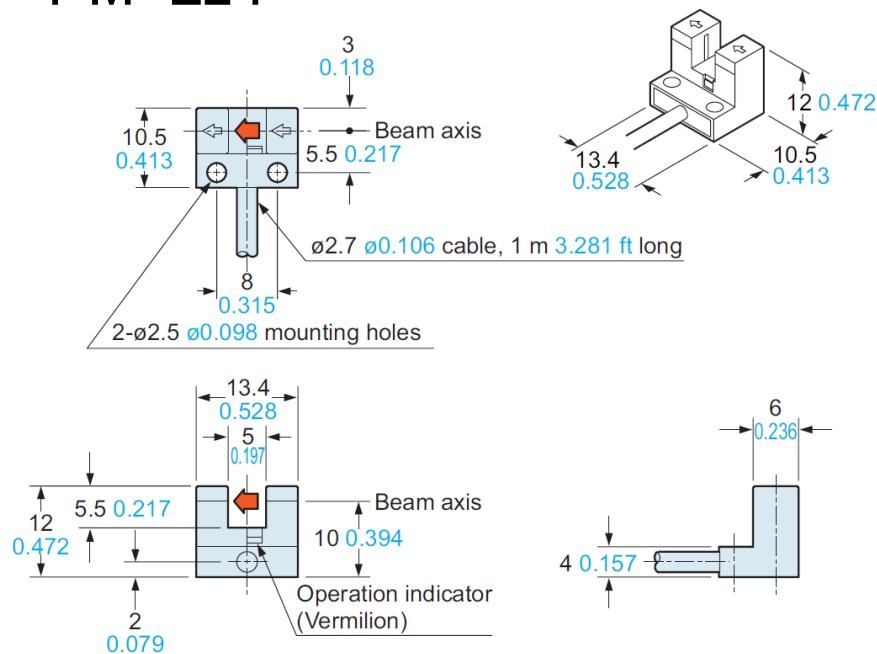
Differences of mounting

 Important point

-  Outline becomes larger.
-  Mounting hole becomes larger. 2- ϕ 2.5mm/ ϕ 0.098in mounting hole. \Rightarrow 2-elongated mounting holes.
-  The mounting hole pitch is the same at 8mm/0.315in.
-  M2 mounting only. \Rightarrow M2 and M3 mounting possible.
-  In case of M2 installation, conventional mounting holes can be diverted, but a washer is necessary.

Dimensions

PM-L24



PM-L25

(mm in)

