

Replacement from PM-F44

The recommended substitute of PM-F44 will be **PM-F45**.

Differences of specifications

	PM-F44	PM-F45
Sensing range	5mm / 0.197in	6mm / 0.236in
Protection circuits	No equipped	Reverse supply polarity protection Reverse output polarity protection Output short-circuit protection
Protection	None	IP64
Under light interrupted condition	100 μ S or less	80 μ S or less
Repeatability	0.03mm / 0.001in or less	0.01mm / 0.0004in or less
Minimum sensing object (opaque object)	0.8 x 1.8mm / 0.031 x 0.071in	0.8 x 1.2mm / 0.031 x 0.047in
Residual voltage	0.7V or less (at 50mA sink current) 0.4V or less (at 16mA sink current)	2V or less (at 50mA sink current) 1V or less (at 16mA sink current)

Other related successor models

- PM-F44-C3 (Cable length 3m / 9.843ft) ⇒ PM-F45-C3
- PM-F44P (PNP output ,cable length 1m / 3.281ft) ⇒ PM-F45-P
- PM-F44P-C3 (PNP output ,cable length 3m / 9.843ft) ⇒ PM-F45-P-C3

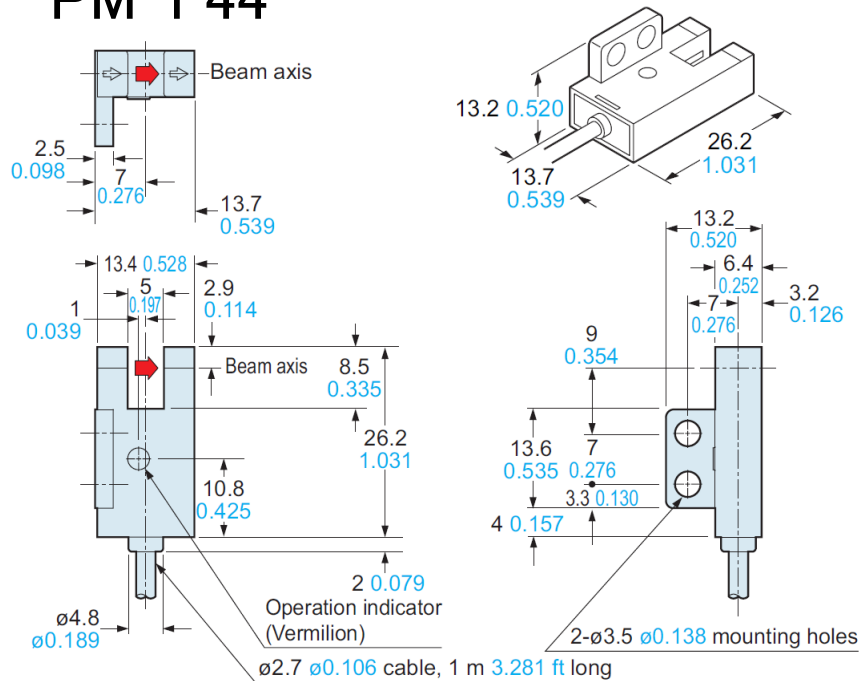
Replacement from PM-F44

Differences of mounting

- Outline becomes smaller.
- Mounting hole and mounting hole pitch are the same.
- The conventional mounting holes can be diverted, and the optical axis position at that case is the same.

Dimensions

PM-F44



PM-F45

